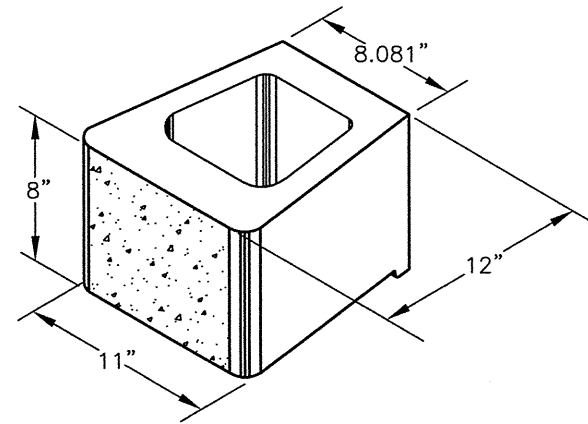
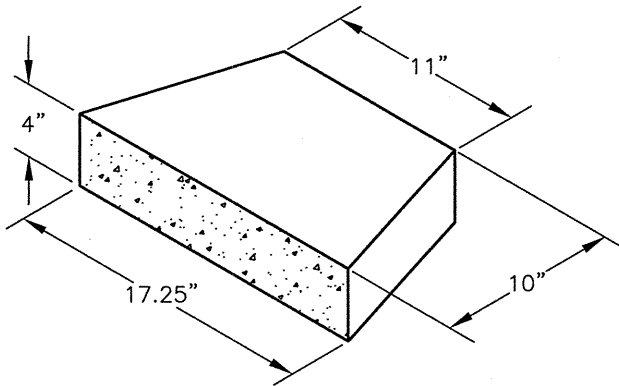


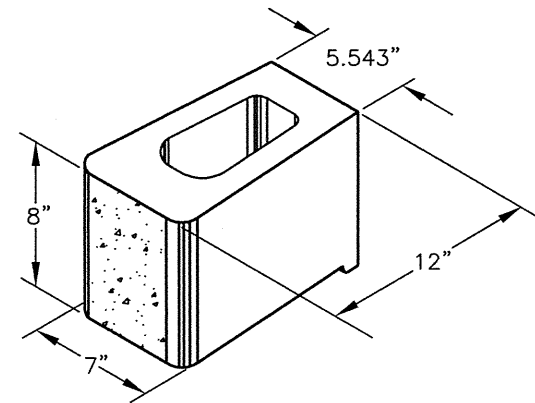
**LARGE UNIT**



**MEDIUM UNIT**



**CAP UNIT**



**SMALL UNIT**



These graphical representations are intended for preliminary design purposes only, and are not to be used for construction without the signature of a registered professional engineer.

All information herein © 2006 Anchor Wall Systems

Drawn By: AWS  
Date: 1/26/06  
Scale: NTS

Drawing Title: **STONE CUT™ SERIES DIAMOND PRO™ ISOMETRIC BLOCK VIEWS**  
Project Information: ANCHOR RETAINING WALL SYSTEMS TYPICAL WALL DETAILS