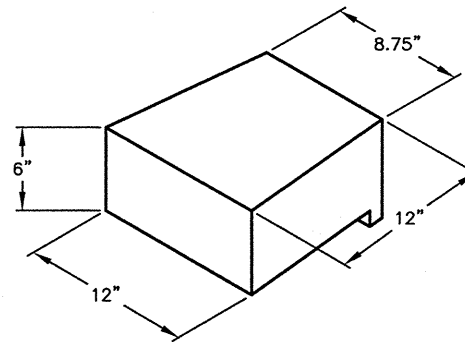
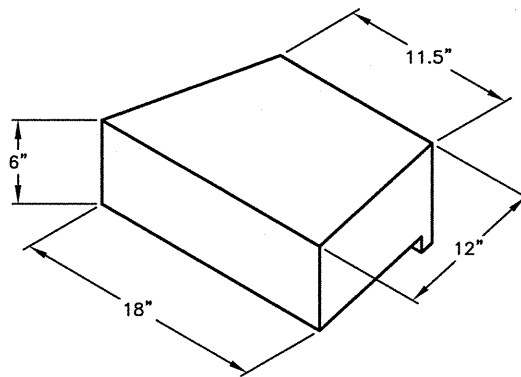


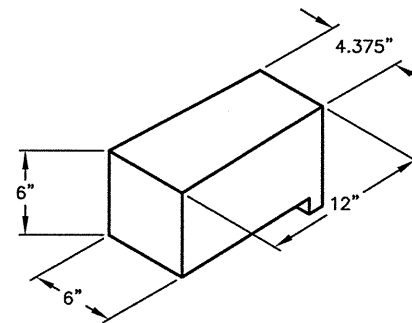
CAP BLOCK



MEDIUM UNIT



LARGE UNIT



SMALL UNIT

X
WX
ANCHOR HIGHLAND STONE™
ISOMETRIC BLOCK VIEWS
 (NOT TO SCALE)



These graphical representations are intended for preliminary design purposes only, and are not to be used for construction without the signature of a registered professional engineer.

All information herein © 2005 Anchor Wall Systems

Drawn By: AWS
 Date: 5/22/05
 Scale: NTS

Drawing Title: **ANCHOR HIGHLAND STONE ISOMETRIC BLOCK VIEWS**

Project Information: ANCHOR RETAINING WALL SYSTEMS TYPICAL WALL DETAILS