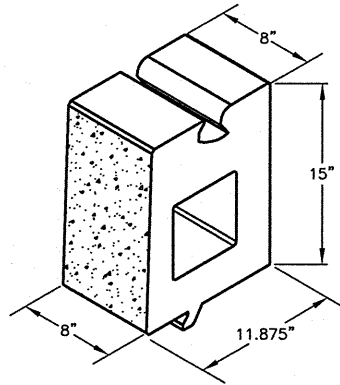
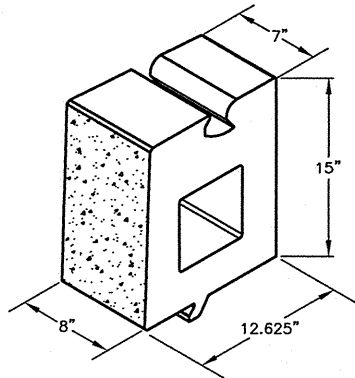


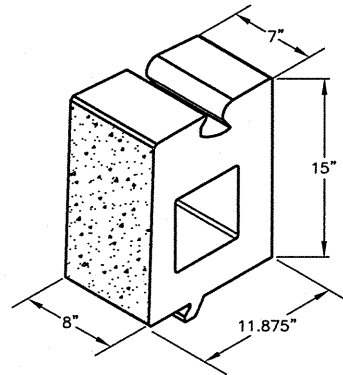
STRAIGHT UNIT - LARGE



STRAIGHT UNIT - SMALL



TAPERED UNIT - LARGE



TAPERED UNIT - SMALL



These graphical representations are intended for preliminary design purposes only, and are not to be used for construction without the signature of a registered professional engineer.

All information herein © 2005 Anchor Wall Systems

Drawn By: AWS
Date: 4/29/2005
Scale: NTS

Drawing Title: ANCHOR LANDMARK SYSTEM
ISOMETRIC VIEWS - FULL HEIGHT UNITS
Project Information: ANCHOR RETAINING WALL SYSTEMS
TYPICAL WALL DETAILS