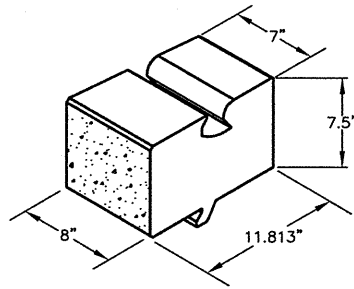
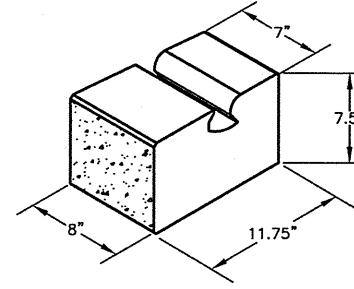


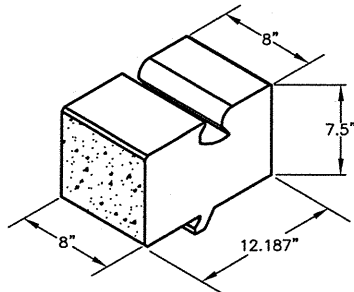
TAPERED UNIT - LARGE



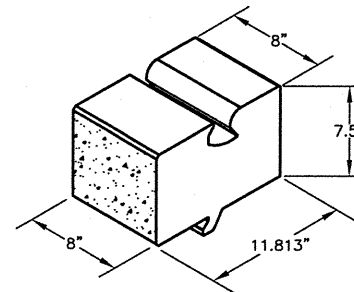
TAPERED UNIT - SMALL



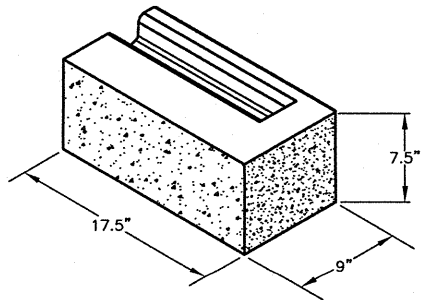
FOUNDATION UNIT



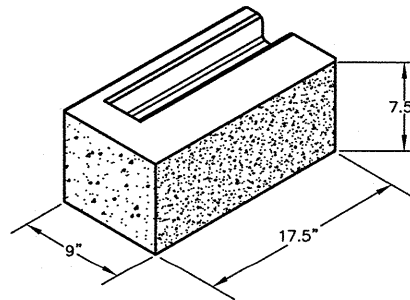
STRAIGHT UNIT - LARGE



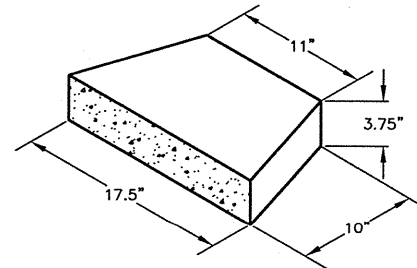
STRAIGHT UNIT - SMALL



LEFT CORNER UNIT



RIGHT CORNER UNIT



CAP UNIT



These graphical representations are intended for preliminary design purposes only, and are not to be used for construction without the signature of a registered professional engineer.

All information herein © 2005 Anchor Wall Systems

Drawn By: AWS
Date: 4/29/2005
Scale: NTS

Drawing Title: ANCHOR LANDMARK SYSTEM ISOMETRIC VIEWS - OTHER UNITS
Project Information: ANCHOR RETAINING WALL SYSTEMS TYPICAL WALL DETAILS