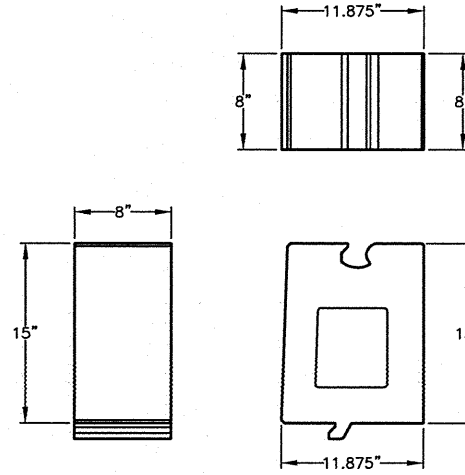
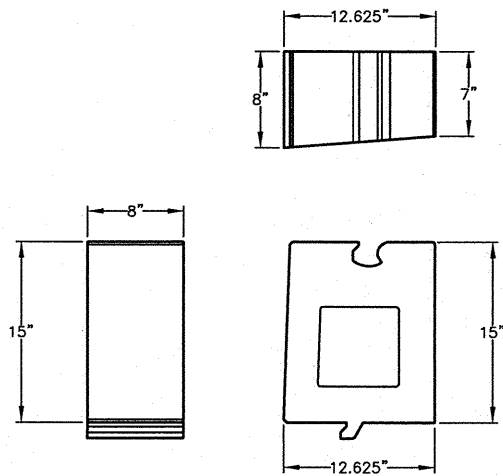


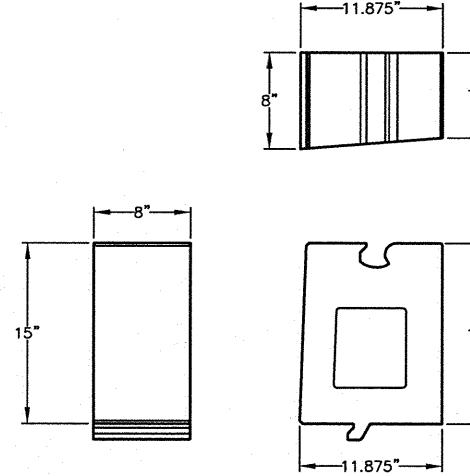
**STRAIGHT UNIT - LARGE**



**STRAIGHT UNIT - SMALL**



**TAPERED UNIT - LARGE**



**TAPERED UNIT - SMALL**



These graphical representations are intended for preliminary design purposes only, and are not to be used for construction without the signature of a registered professional engineer.

All information herein © 2005 Anchor Wall Systems

Drawn By: AWS  
Date: 4/29/2005  
Scale: NTS

Drawing Title: ANCHOR LANDMARK SYSTEM  
TRI-PLANE VIEWS - FULL HEIGHT UNITS  
Project Information: ANCHOR RETAINING WALL SYSTEMS  
TYPICAL WALL DETAILS