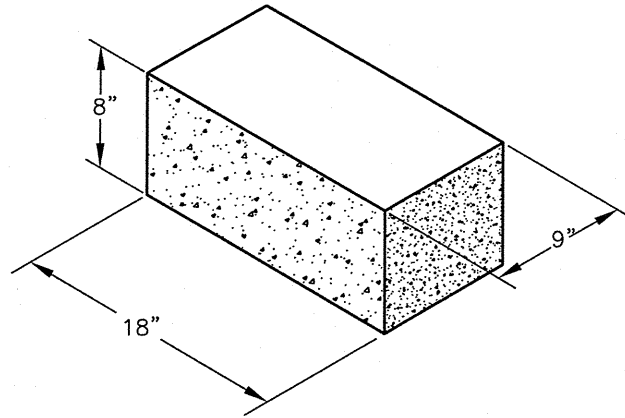
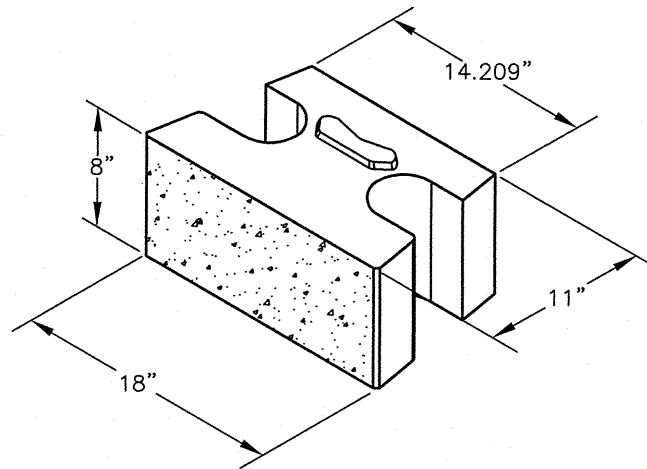


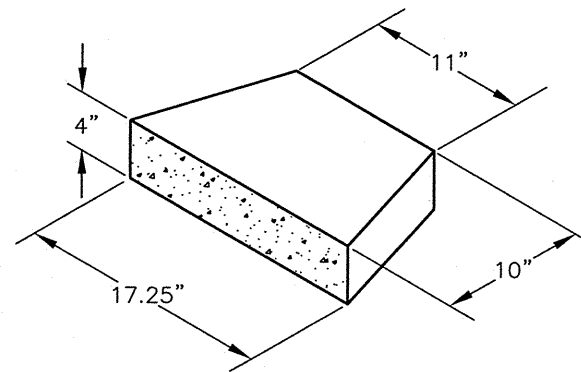
**BEVELED UNIT**



**CORNER UNIT**



**STRAIGHT UNIT**



**CAP UNIT**



These graphical representations are intended for preliminary design purposes only, and are not to be used for construction without the signature of a registered professional engineer.

All information herein © 2005 Anchor Wall Systems

Drawn By: AWS  
Date: 4/29/2005  
Scale: NTS

Drawing Title: \_\_\_\_\_

**ANCHOR VERTICA  
ISOMETRIC BLOCK VIEWS**

Project Information: \_\_\_\_\_

ANCHOR RETAINING WALL SYSTEMS  
TYPICAL WALL DETAILS